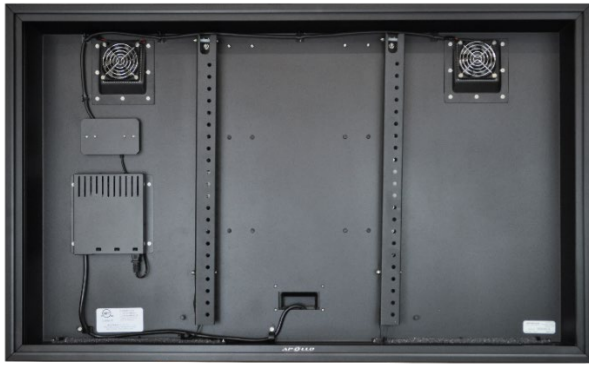


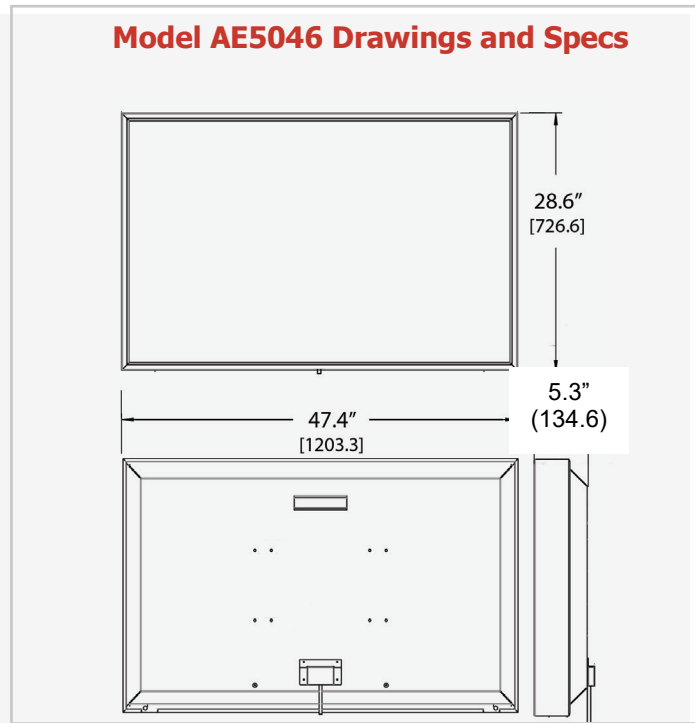
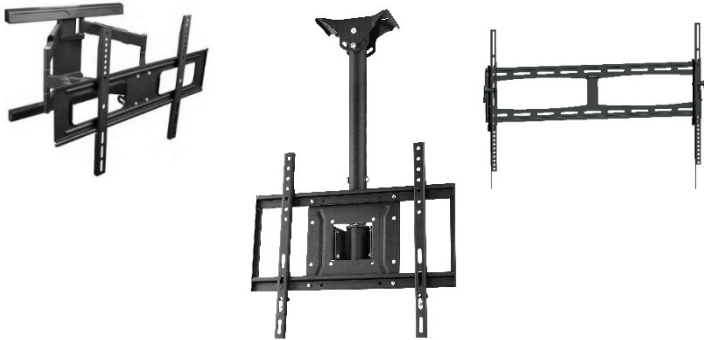
# Model AE5046

## All-Weather Outdoor TV Enclosure



Model 5046 fits most 46" - 50" slimline LED/LCD TVs.\*

**Apollo weatherproof mount of your choice is available for this model** (Mount drawings and specs on back page.)



### Features

- All aluminum powder coated construction for durability and style
- Anti-reflective safety glass reduces glare and enhances contrast
- Tight-Seal technology seals your TV against rain, dust, and insects
- Temperature controlled and filtered air-flow system protects your TV in temperatures of -4° (-20° C) to 122° F (50° C)
- Speaker grilles transfer TV speaker audio effectively to maximize audio performance
- Watertight cable cover protects cable connections to your TV inputs and outputs
- EZ Mount internal TV Swing brackets for simplified installation and easy cable management
- 9' outdoor rated power cable for safe outdoor installation
- 1' extension power cord to accommodate internal connection of power packs or right-angle plugs
- Apollo all-weather full-motion wall mount, non-articulating wall mount, or adjustable height (28.44"-48") ceiling mount with tilt and swivel features is available for this model
- Standard color in Black, with three designer color options

Specifications	Model AE5046
Fits TV Sizes	46" to 50" Slim LED/LCD TVs
Max TV dimensions the enclosure accommodates	45" W x 26.5" H x 3" D (1143 x 673.1 x 76.2 mm) or up to 3.5" for some TV models with speaker bump-outs at the bottom of the TV. See our list of TVs that Fit for specific models.
Power Requirements	110/240 VAC
Mount Options (Choice of one) Drawings & Specs on Next Page	AWM407 Articulating Wall mount WM607NA Non-articulating Wall Mount CM708 Ceiling Mount
Enclosure Dimensions	47.4" W x 28.6" H x 5.3" D (1203 x 726.4 x 134.6 mm)
Shipping Dimensions	51.25" W x 32.5" H x 8.5" D (1301.75x825.5x215.9mm)
Enclosure Weight	44.5 lbs. (20.18 kg)
Shipping Weight	52.85 lbs. (23.97kg)



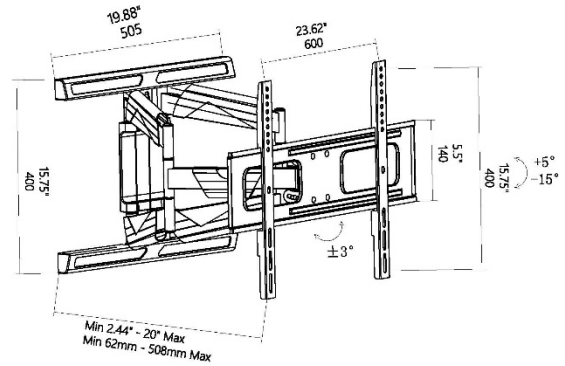
Complies with:  
UL/CSA 60950-1  
UL/CSA 60950-22

Optional Accessories and Designer Colors	
DC5046 - Custom protective dust cover of washable, durable fabric	Designer Color Upgrades. Choice of Silver (SL), White (WH), and Metallic Sandstone (SS)
HM200i - Thermostatically controlled Heater Module for installation in areas of extreme humidity and where temperatures dip below -04 degrees F to -40 degrees F.	
MOD47 - Modesty bezels available for framing smaller TVs	

## Weatherproof Mount Selections for Apollo Enclosure Model AE5046

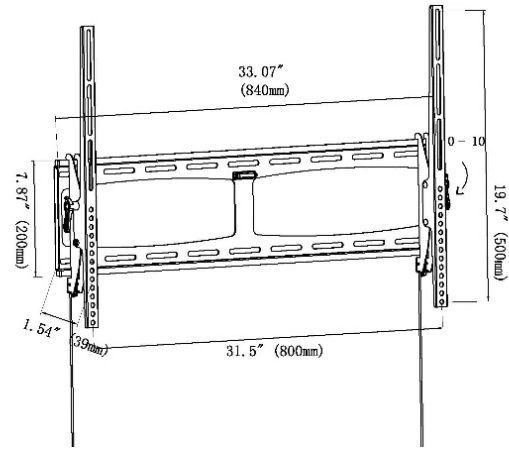
Apollo mounts are designed for outdoor installation with weatherproof construction and stainless steel hardware.

<b>AWM407 Articulating Wall Mount for Model AE5046</b>	
Description	Weather resistant aluminum dual arm, full-motion, tilting wall mount with stainless steel hardware, Black. Max load 175lbs
Extension	2.44" to 20" (62 to 508 mm)
Tilt	Adjustable from +/-5° to 15°
Mount Weight	17.7 lbs. (8.03 kg)
Shipping Weight	19.55 lbs. (8.87 kg)
Shipping Carton	27.25" H x 15.5" W x 3" D (692.15x393.7x76.2 mm)



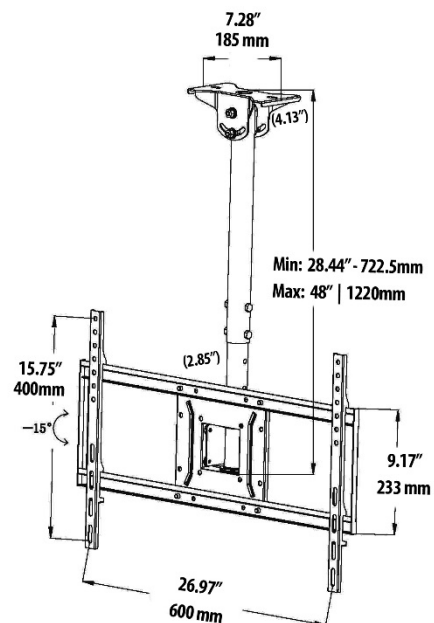
or

<b>WM607NA Non-Articulating Mount Specifications For Model AE5046</b>	
Description	Weather resistant non-articulating wall mount with stainless steel hardware, Black. Maximum Weight 200 lbs
Tilt	Adjustable from 0° to 10°
Mount Weight	8 lbs. (3.62 kg)
Shipping Weight	8.5 lbs. (3.85 kg)
Shipping Carton	34" H x 8.5" W x 2.5" D (863.6 x 215.9 x 63.5mm)



or

<b>CM708 Adjustable Height Ceiling Mount Specifications For Model AE5046</b>	
Description	Weather resistant adjustable height, tilting and swivel ceiling mount with ceiling plate. Black. Maximum Weight 155 lbs.
Extension	28.44" - 48" (722.5 to 1220mm)
Tilt	+/- 15°
Product Weight	8.65 lbs. 3.92 kg)
Shipping Weight	9.75 lbs. (4.42 kg)
Shipping Carton	32" H x 9.75" W x 4.6" D (812.8 x 247.65 x 116.8 mm)



[www.apolloenc.com](http://www.apolloenc.com) | 888.414.5919

Copyright 2021 Apollo Enclosures, All rights reserved

Rev 5046-spec-210601