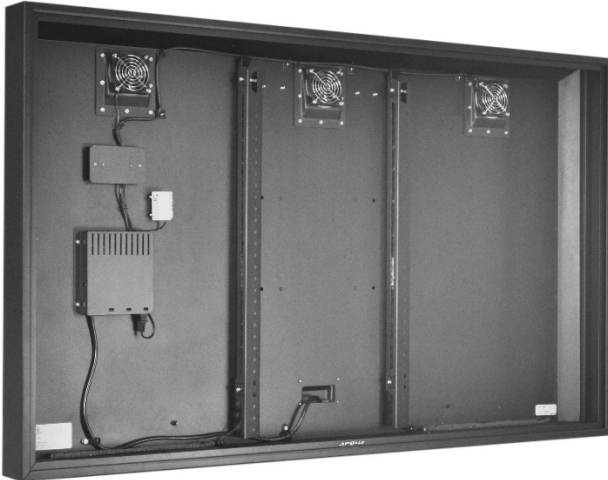


Model AE6560

All-Weather Outdoor TV Enclosure

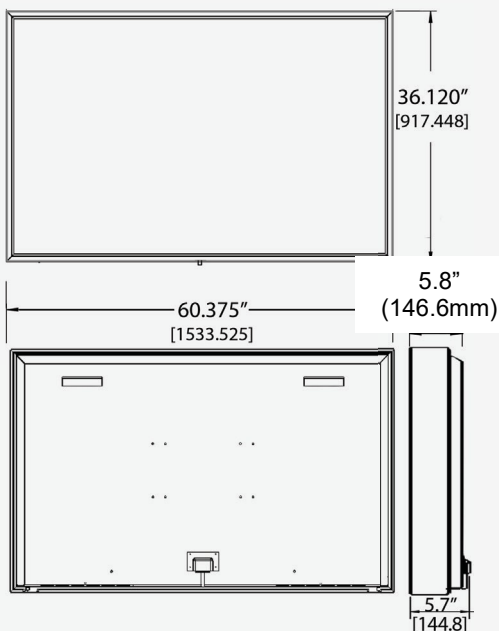


Model 6560 fits most 60" - 65" slimline LED/LCD TVs

Apollo weatherproof mount of your choice is available for this model (Mount drawings and specs on backpage.)



Model AE6560 Drawings and Specs



Features

- All aluminum powder coated construction for durability and style
- Anti-reflective safety glass reduces glare and enhances contrast
- Tight-Seal technology seals your TV against rain, dust, and insects
- Temperature controlled, dual filtered air-flow system protects your TV in temperatures of -4°F (-20° C) to 122° F (50° C)
- Down-facing Sound Port transfers TV speaker audio effectively to maximize audio performance
- Watertight cable cover protects cable connections to your TV inputs and outputs
- 9' outdoor rated power cable for safe outdoor installation
- EZ Mount internal TV swing brackets for simplified installation and easy cable management
- 1' extension power cord to accommodate internal connection of power packs or right angle plugs
- Apollo all-weather full-motion wall mount, non-articulating wall mount, or adjustable height (28.44" - 48") ceiling mount with tilt and swivel features is available for this model
- Standard color in Black, with three designer color options

Specifications	Model AE6560
Fits TV Sizes	60" to 65" Slim LED/LCD TVs
Max TV dimensions the enclosure accommodates	58"W x 34"H x 3.5"D (1473.2 x 863.6 x 88.9 mm)
Power Requirements	110/240 VAC
Mount Options (Choice of one) Drawings & Specs on Next Page	AWM 407 Articulating Wall mount WM607NA Non-articulating Wall Mount CM708 Ceiling Mount
Enclosure Dimensions	60.375"W x 36.120"H x 5.8"D (1533.53 x 917.45 x 146.6mm)
Shipping Dimensions	66" W x 41.75" H x 10" D (1676.4 x 1060.5 x 254 mm)
Enclosure Weight	63.9 lbs. (28.98 kg)
Shipping Weight	75.55 lbs. (34.27 kg)



Complies with:
UL/CSA 60950-1
UL/CSA 60950-22

Optional Accessories and Designer Colors

DC6560 - Custom protective dust cover of washable, durable fabric

Designer Color Upgrades. Choice of Silver (SL), Metallic Sandstone (SS), and White (WH)

HM200i - Thermostatically controlled Heater Module for installation in areas of extreme humidity and where temperatures dip below -04°F to -40°F.

MOD60 - Modesty bezels available for framing smaller TVs

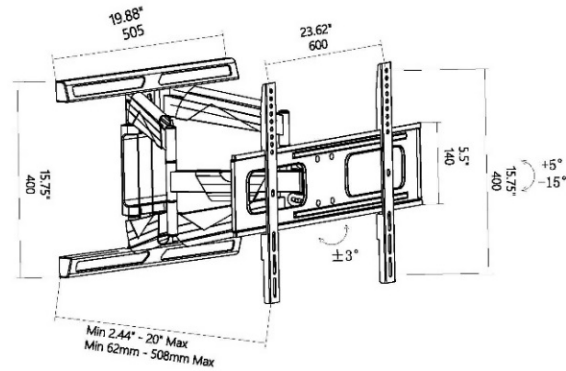


Rev 6560-spec-210601

Weatherproof Mount Selections for Apollo Enclosure Model AE6560

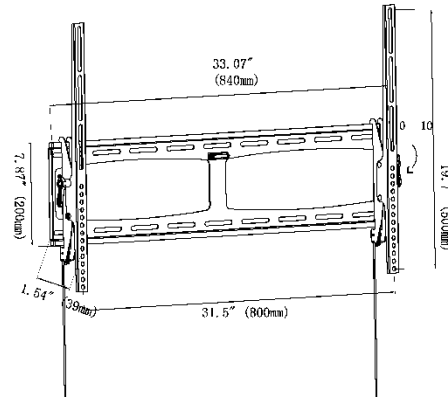
Apollo mounts are designed for outdoor installation with weatherproof construction and stainless steel hardware.

AWM407 Articulating Wall Mount Specifications For Model AE6560	
Description	Weather resistant aluminum dual arm, full-motion, tilting wall mount with stainless steel hardware, Black. Max load 175 lbs
Extension	2.44" to 20" (62 to 508 mm)
Tilt	Adjustable from +/-5° to 15°
Mount Weight	17.7 lbs. (8.03 kg)
Shipping Weight	19.55 lbs. (8.87 kg)
Shipping Carton	27.25" H x 15.5" W x 3" D (692.15x393.7x76.2 mm)



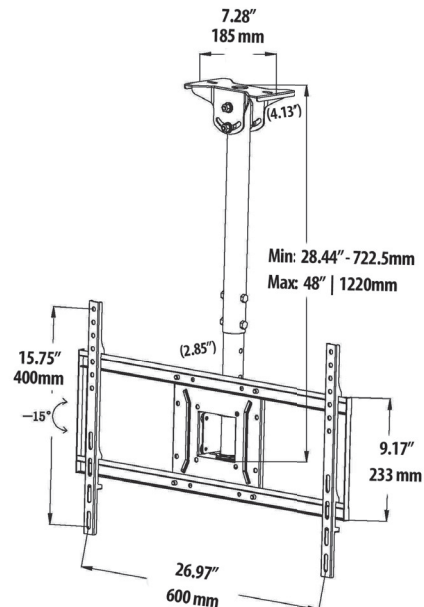
or

WM607NA Non-Articulating Mount Specifications For Model AE6560	
Description	Weather resistant non-articulating wall mount with stainless steel hardware, Black. Maximum Weight 200 lbs
Tilt	Adjustable from 0° to 10°
Mount Weight	8 lbs. (3.62 kg)
Shipping Weight	6 lbs. (2.72 kg)
Shipping Carton	34" H x 8.5" W x 2.5" D (863.6 x 215.9 x 63.5mm)



or

CM708 Ceiling Mount Specifications For Model AE6560	
Description	Weather resistant adjustable height, tilting and swivel ceiling mount with ceiling plate. Black. Max Weight 155 lbs
Extension	28.44" - 48" (722.5 to 1220mm)
Tilt	-5° to 15°
Product Weight	9.65 lbs. (4.38 kg)
Shipping Weight	11.5 lbs. (5.22 kg)
Shipping Carton	32" H x 9-3/4" W x 4.0" D (812.8 x 247.65 x 101.6 mm)



APOLLO
ENCLOSURES

www.apolloenc.com | 888.414.5919

Copyright 2021 Apollo Enclosures LLC. All rights reserved

Rev 6560-spec-210601