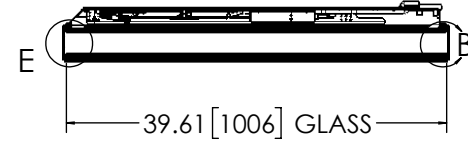
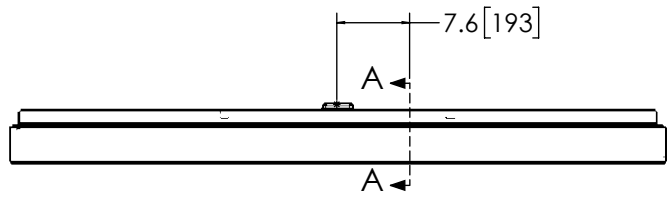
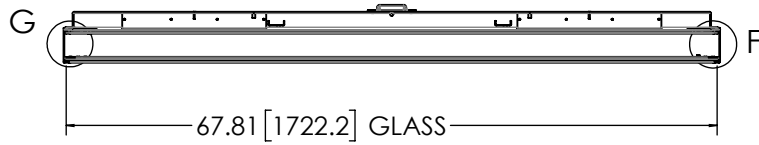


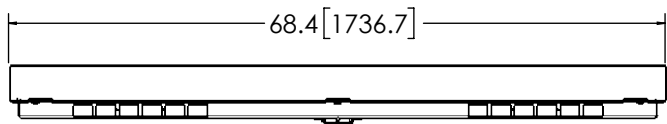
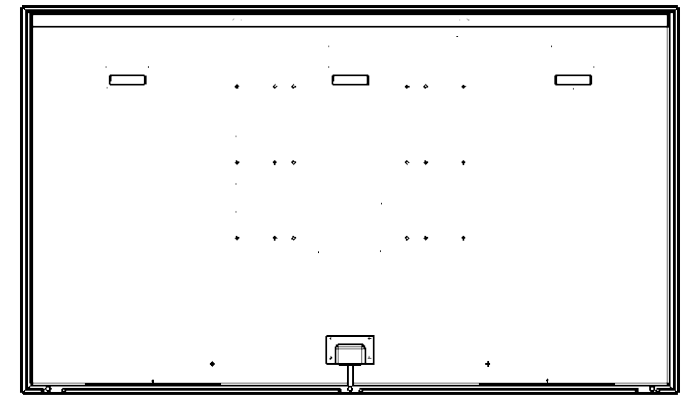
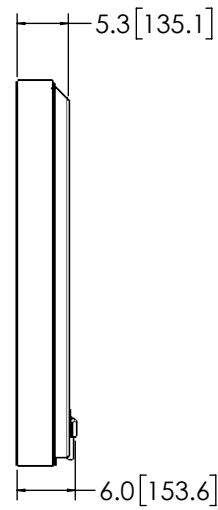
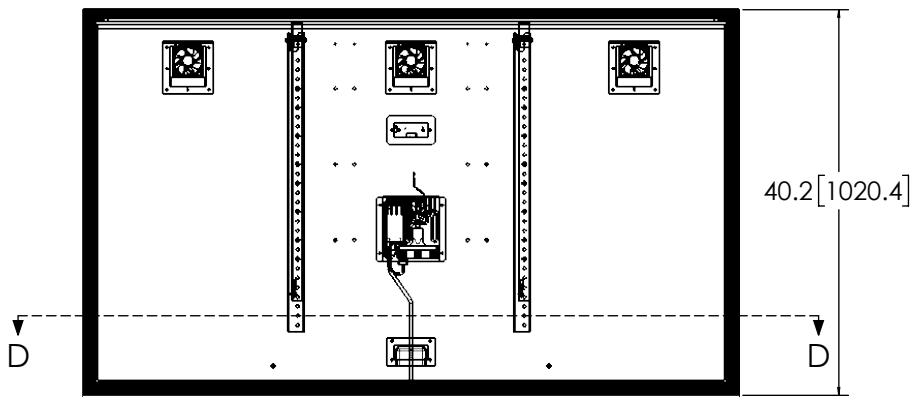
AE7570A (66.5-38.3-3) Assembly
Glass/Extrusion
Dimensional Drawing
6-5-20



SECTION A-A

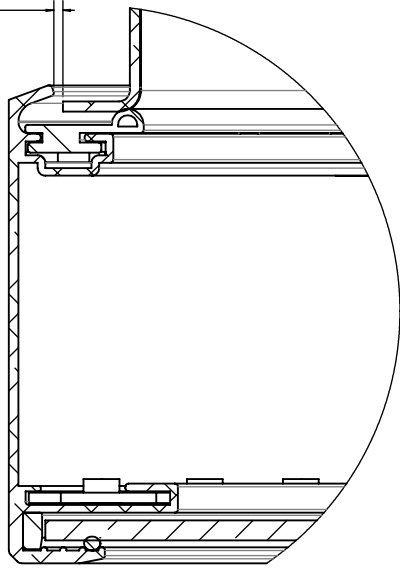


SECTION D-D

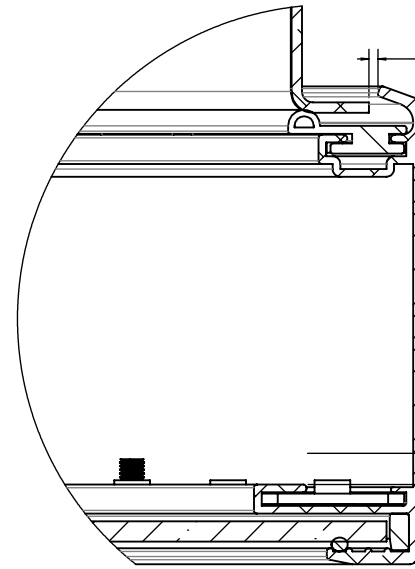


AE7570A (66.5-38.3-3) Assembly
Glass/Extrusion
Dimensional Drawing
6-5-20

.070 [1.8]
 BACK PANEL
 TO EXTRUSION



DETAIL G
 SIDE
 SCALE 1 : 1.5

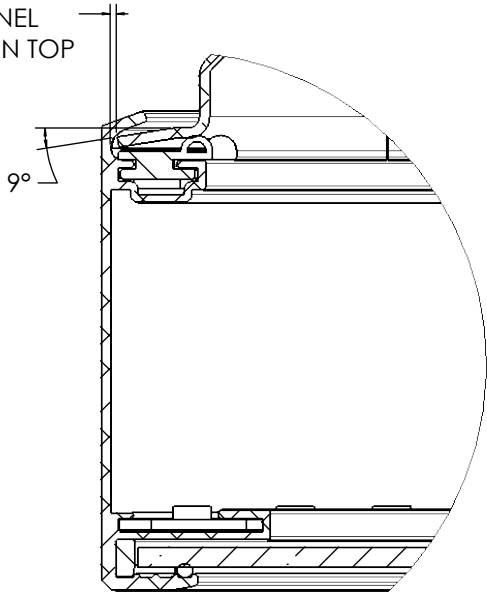


.070 [1.8]
 BACK PANEL
 TO EXTRUSION

.244 [6.2]
 TV FRONT
 TO BEZEL BACK

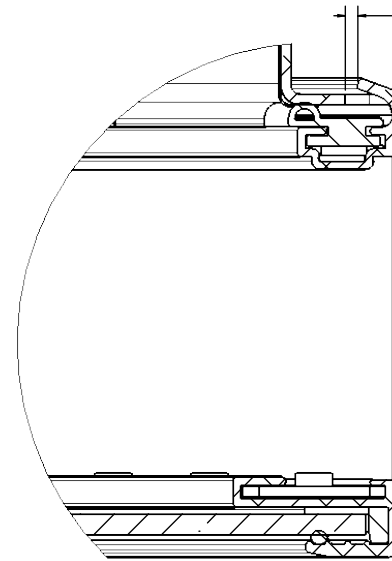
DETAIL F
 SIDE
 SCALE 1 : 1.5

.05 [1.2]
 BACK PANEL
 TO EXTRUSION TOP



DETAIL E
 TOP
 SCALE 1 : 1.5

.097 [2.5]
 BACK PANEL
 TO EXTRUSION



DETAIL B
 BOTTOM
 SCALE 1 : 1.5