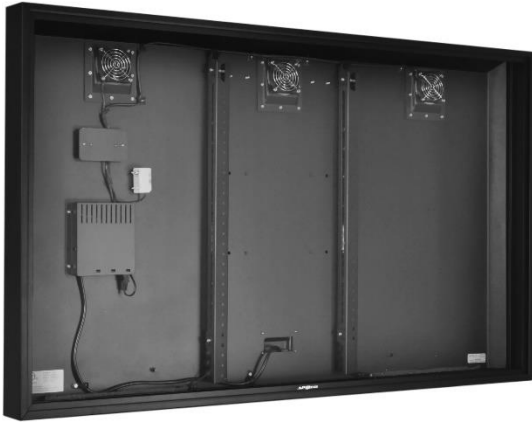


## Model AE7570

### All-Weather Outdoor TV Enclosure



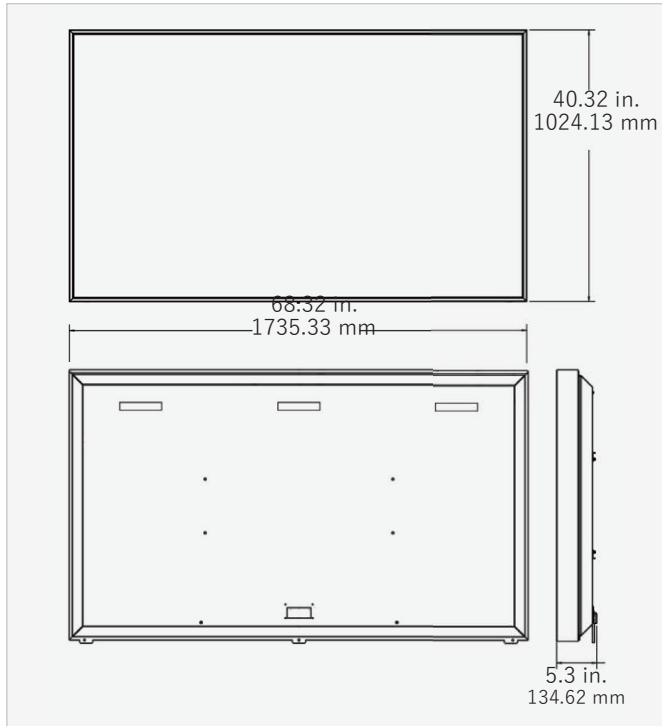
Model 7570 fits most 70" - 75" slimline LED/LCD TVs

Available with Apollo weatherproof mount of your choice

(Mount drawings and specs on back page.)



### Model AE7570 Drawings and Specs



### Features

- All aluminum powder coated construction for durability and style
- Anti-reflective safety glass reduces glare and enhances contrast
- Tight-Seal technology seals your TV against rain, dust, and insects
- Temperature controlled, multi-filtered air-flow system protects your TV in temperatures of -4° (-20° C) to 122°F (50° C)
- Down-facing Sound Port transfers TV speaker audio effectively to maximize audio performance
- E-Z mount interior TV swing brackets for simplified TV installation and easy access to cables management
- Watertight cable cover protects cable connections to your TV inputs and outputs
- 9' outdoor rated power cable for safe outdoor installation
- 1' extension power cord to accommodate internal connection of power packs or right-angle plugs
- Available with choice of full-motion wall mount or tilt wall mount
- Standard color in Black, with three designer color options

Specifications	Model AE7570
Fits TV Sizes	70" to 75" Slimline LED/LCD TVs
Max TV dimensions the enclosure accommodates	66.5" W x 38.3" H x 3" (1689.1 x 972.82 x 76.2mm) or up to 3.5" for some TV models with speaker bump-outs at the bottom of the TV. See our list of TVs that Fit for specific models.
Power Requirements	110/240 VAC
Mount Options (Choice of one) Drawings & Specs on Next Page	AWM407 Articulating Wall mount WM607NA – Non-articulating Wall Mount
Enclosure Dimensions	68.32" W x 40.32" H x 5.3" D (1735.33 X 1024.13 X 134.62 mm)
Shipping Dimensions	74.5" W x 44.75" H x 9.75" D (1892.3 x 1136.65 x 247.7 mm)
Enclosure Weight	73.5 lbs (33.33 kg)
Shipping Weight	89 lbs (40.37 kg)



Complies with:  
UL/CSA 60950-1  
UL/CSA 60950-22

### Optional Accessories and Designer Colors

DC7570 - Custom protective dust cover of washable, durable fabric.

HM001i - Thermostatically controlled Heater Module for installation in areas of extreme humidity and where temperatures dip below -04° F to -40° F.

MOD70 - Modesty bezels available for framing smaller TVs

Designer Color Upgrades available in Silver, White and Metallic Sandstone

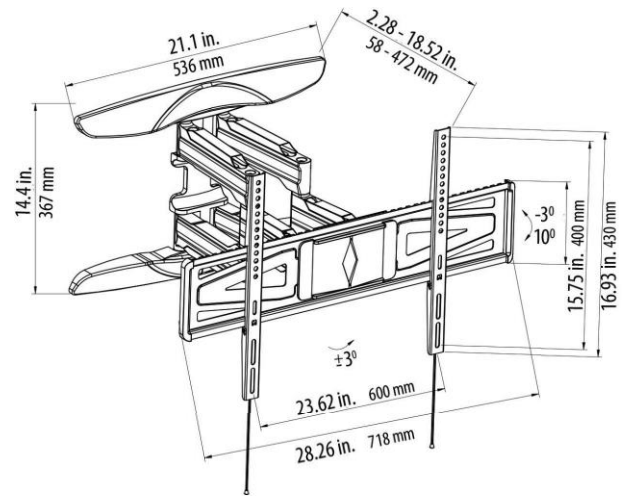


## Weatherproof Mount Selections for Apollo Enclosure Model AE7570

Apollo mounts are designed for outdoor installation with weatherproof construction and stainless steel hardware.

### AWM407 Articulating Wall Mount Specifications For Model AE7570

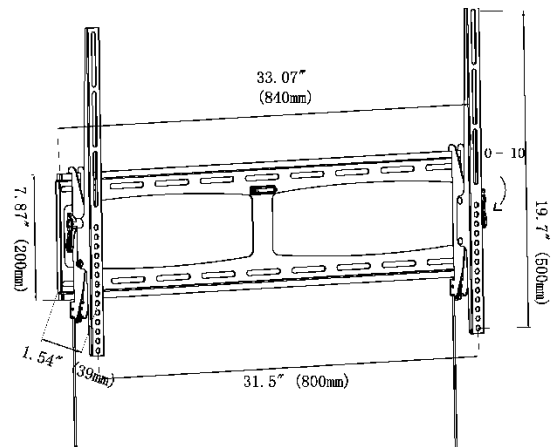
Description	Weather resistant aluminum dual arm, full-motion, tilting wall mount with stainless steel hardware, Black. Max Weight 155 lbs
Extension	2.3" to 18.5" (58.4 to 469.9 mm)
Tilt	Adjustable from -3° to 10°
Mount Weight	23.7 lbs. (10.8 kg)
Shipping Weight	26.5 lbs. (12.0 kg)
Shipping Carton	30" H x 16.6" W x 3.7" D (762 x 421.6 x 94 mm)



or

### WM607NA Non Articulating Mount Specifications For Model AE7570

Description	Weather resistant non-articulating wall mount with stainless steel hardware. Black. Max Weight 250 lbs.
Tilt	Adjustable from 0° to 10°
Mount Weight	11.02 lbs. (5.0 kg)
Shipping Weight	12.13 lbs. (5.5 kg)
Shipping Carton	34" H x 8.5" W x 2.5" D (863.6 x 215.9 x 63.5mm)



or



[www.apolloenc.com](http://www.apolloenc.com) | 888.414.5919

Copyright 2020 Apollo Enclosures LLC. All rights reserved

Rev 7570-spec-200703